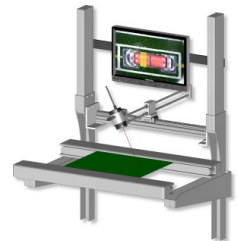
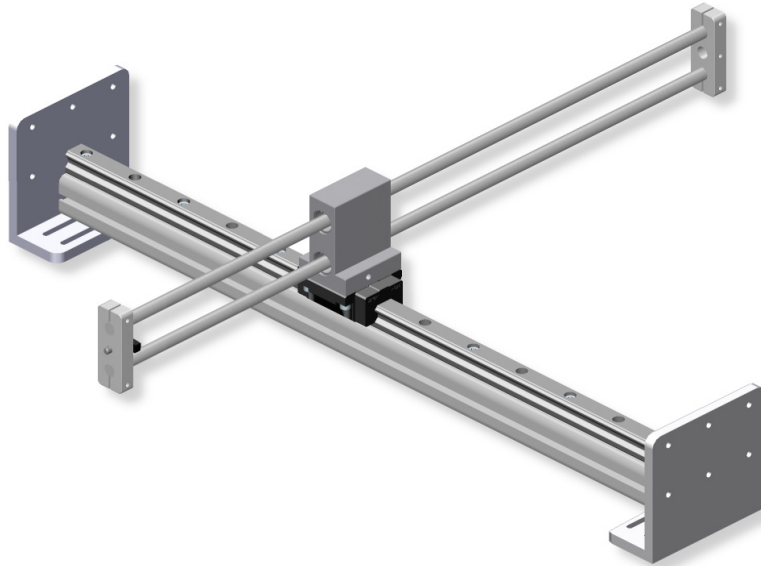


In-line XY Stand

Product No. OP-006 333

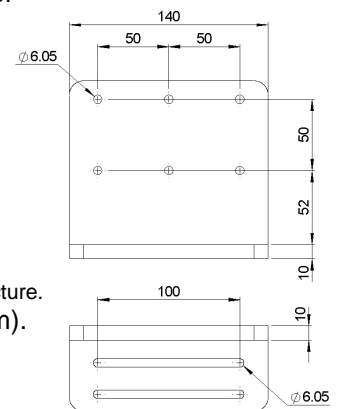


OP-006 333 is a heavy duty and stable stand with precision ball-bearing XY movement, specially developed for in-line mounting of Optilia W10x High Definition inspection cameras in production lines. W10x camera can be moved smoothly and precisely along X- and Y-direction above inspection object using this stand. An optional 4-directional tilt unit can be assembled on front of the stand boom in order to change direction angle of the camera for side inspection of objects.

OP-006 333 is made of high quality stainless steel and anodised aluminium parts and safe for use in EPA environments. OP-006 333 can be ordered with lateral X-width of 500mm to 1000mm (400-900mm X-travel) and axial X-range of 400mm or 650mm.

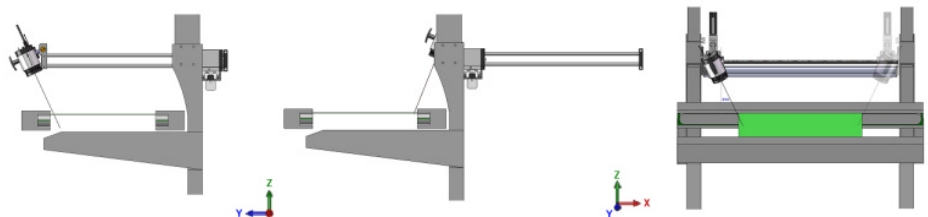
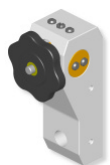
Specification:

- Lateral X-range ● 400mm to 900mm. (to be specified at order)
- Axial Y-range ● 400mm or 650 mm. (to be specified at order)
- Side bracket assembly holes ● ϕ 6mm (6x) for M6. Other dimensions according to the picture.
- Weight ● 6.0 Kg (XY=400x400mm). 8.0Kg (XY=900x650mm).



Side Brackets Dimensions in mm

4-directions Camera Tilt unit
Prod. No. OP-006 334
(optional)



W10x-HD camera on XY-in-line Stand with 4-directions Tilt Unit using for PCB inspection