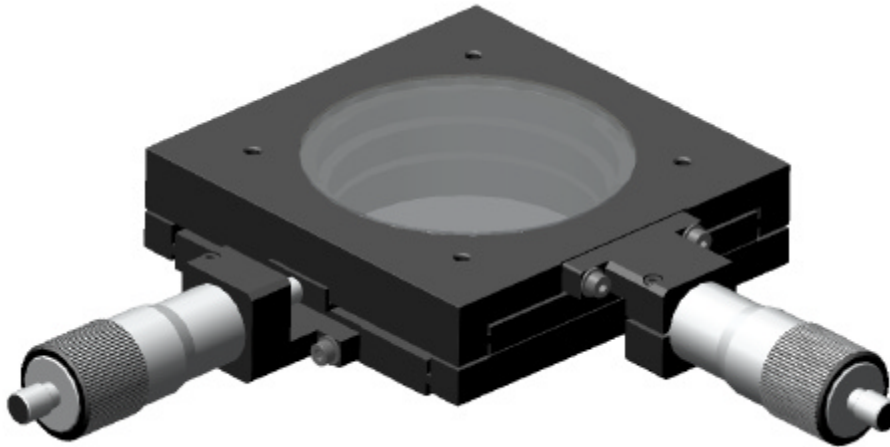


XY-Translation Board

Product No. OP-006 111



OP-006 111 is a high precision linear xy-translation stage, equipped with a transparent glass top plate. Preloaded ball bearing design of the unit permits low friction linear movement with no backlash or side-play. This precision stage provides controlled, precise, point-to-point positioning along two linear axes. XY-translation board is designed for using with Flexia family of video microscopes, especially with Flexia BGA and Flexia Vision Measurement kits.

OP-006 111 is delivered with two 0.5mm pitch, 25mm travel Adjustment Screws. Other drive options are 0.5 mm pitch English or metric Digital Micrometers with 25 or 50mm travel range.

OP-006 111 is made of high quality stainless steel and anodised aluminium parts.

Specification:

Travel range	●	~ 25x25mm (50x50 mm with 50mm travel digital micrometer)
Movement resolution	●	0.5 mm/360°
Straight line accuracy	●	~ 2 microns
Micrometer mount	●	F 12mm
Load capacity	●	10 Kg.
Size of top plate	●	135 x 135 mm
Size of glass plate	●	F 90 mm
Total height	●	35 mm (47 mm with spaces)
Total Weight (incl. micr. screws)	●	2,5 Kg. maximum
Extra accessories	●	0.5 mm pitch Digital Micrometer Screws

Quick-feed micrometer spindle
Product No. OP-006 184
(2x Included)



0.5 mm pitch 50mm travel
Digital Micrometer Screw
Product No. OP-006 148
(option)



0.5 mm pitch 25mm travel
Digital Micrometer Screw
Product No. OP-006 149
(option)

