

Instructions Manual

# Weight less Parallel Arm for HD cameras

Product Nr. OP-006 328



This manual describes how to operate the Parallel Arm with Optilia HD cameras



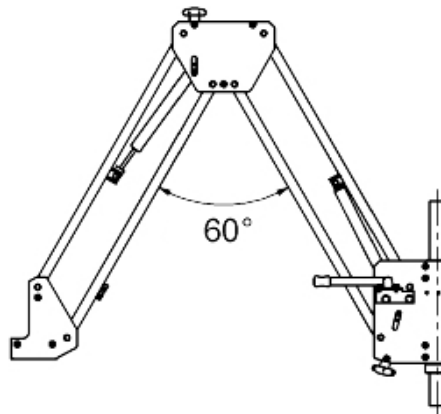
High Quality, Flexible Optical Inspection Systems

## Table of Contents

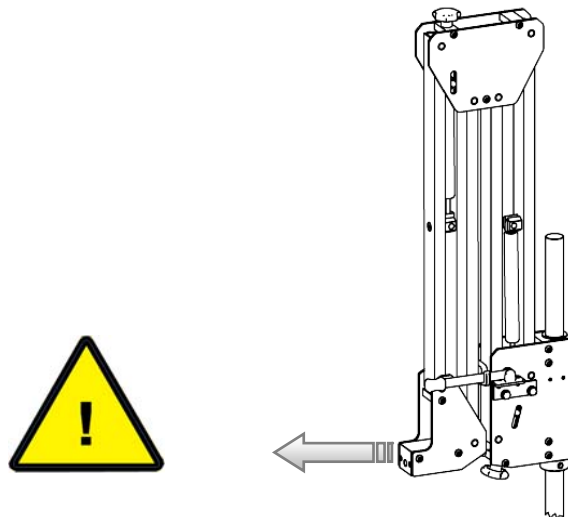
1. Restrictions and Safety Instructions .....	4
2. Description of parts .....	5
3. Assembly instructions .....	6
4. How to operate the device .....	8
5. Specification.....	9
6. Optional accessories .....	9
7. Warranty information .....	10
8. Notes .....	11

## 1. Restrictions and Safety Instructions of Parallel Arm

- This equipment is designed for industrial applications.
- The Counterbalancing characteristics of the Parallel Arm decreases when the angle of Parallel Arm is less than  $60^\circ$ . Tighten the clamping levers if you need to operate the Parallel Arm outside this range.



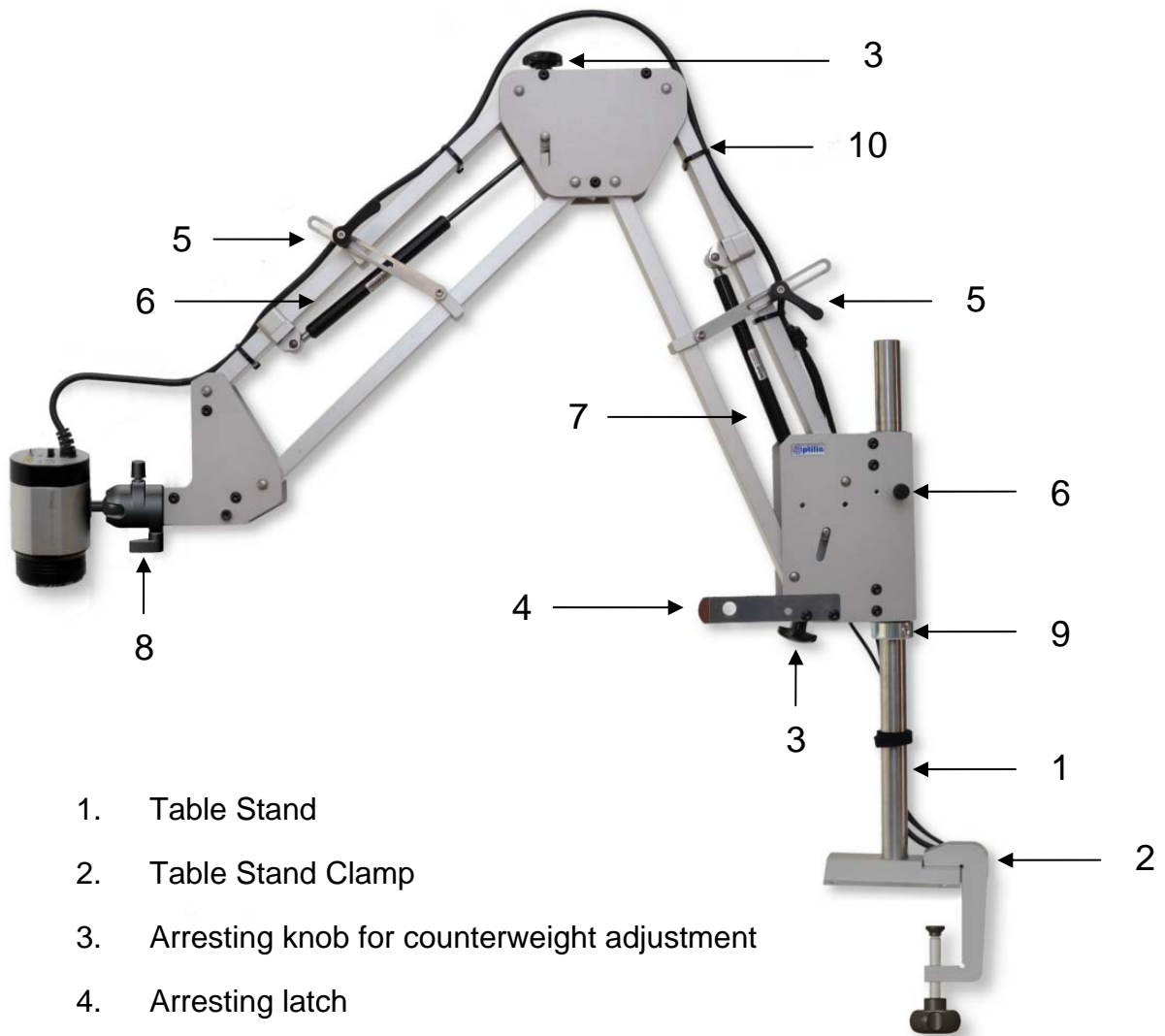
- Don't stand in front of the arm during assembly. The force from the gas springs can launch the front part with high speed!



- Use a mild detergent and a soft cleaning tissue to clean the instrument.
- Only use accessories provided or approved by Optilia.

## 2. Description of parts

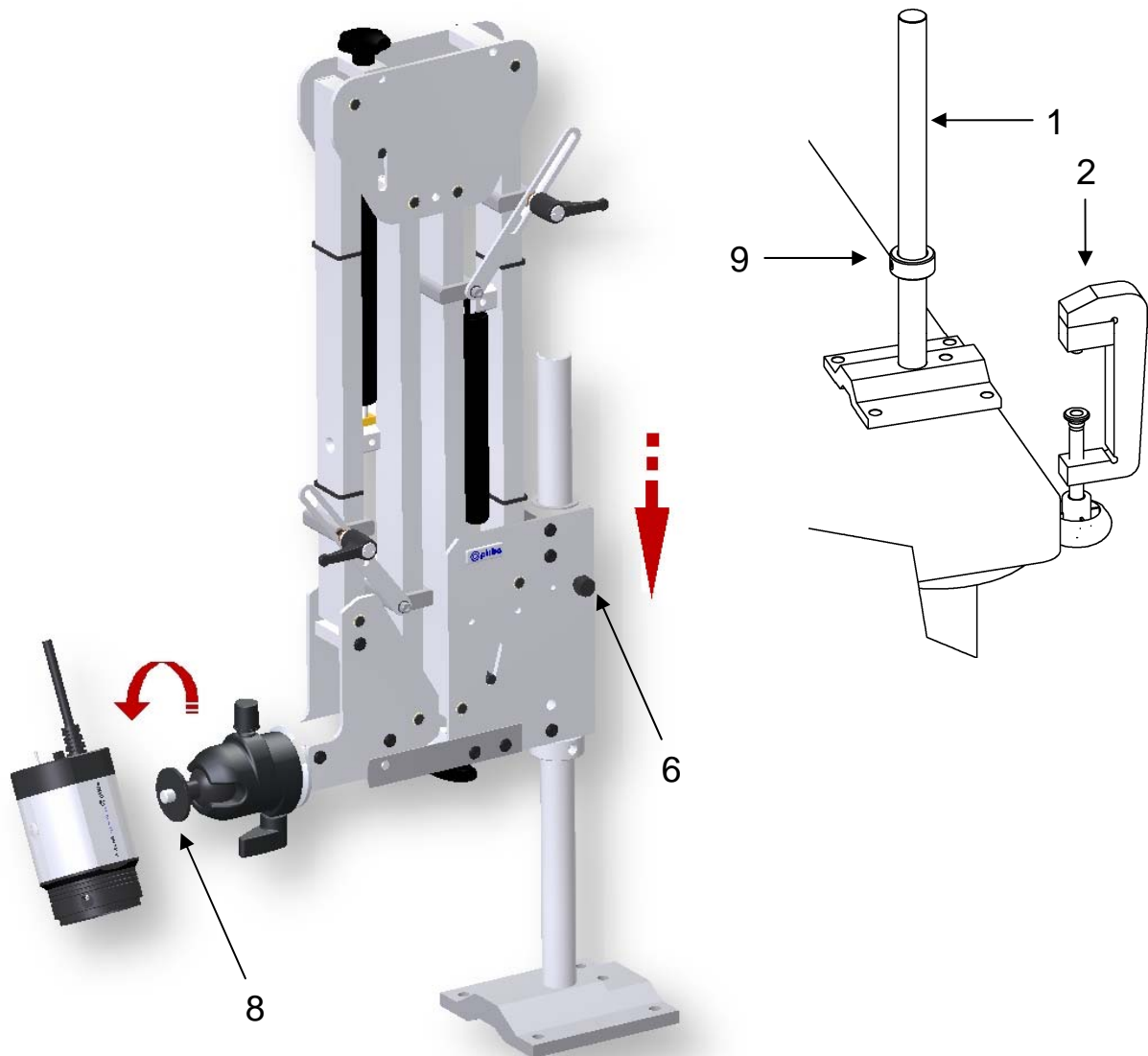
The Parallel Arm is designed for table-top or wall-mounted applications. The Parallel Arm design provides stable and smooth operation together with W10x or W20x High Definition cameras. Two gas springs balance the load of the camera. It is intended for vertical operations and is especially suitable for large area access applications.



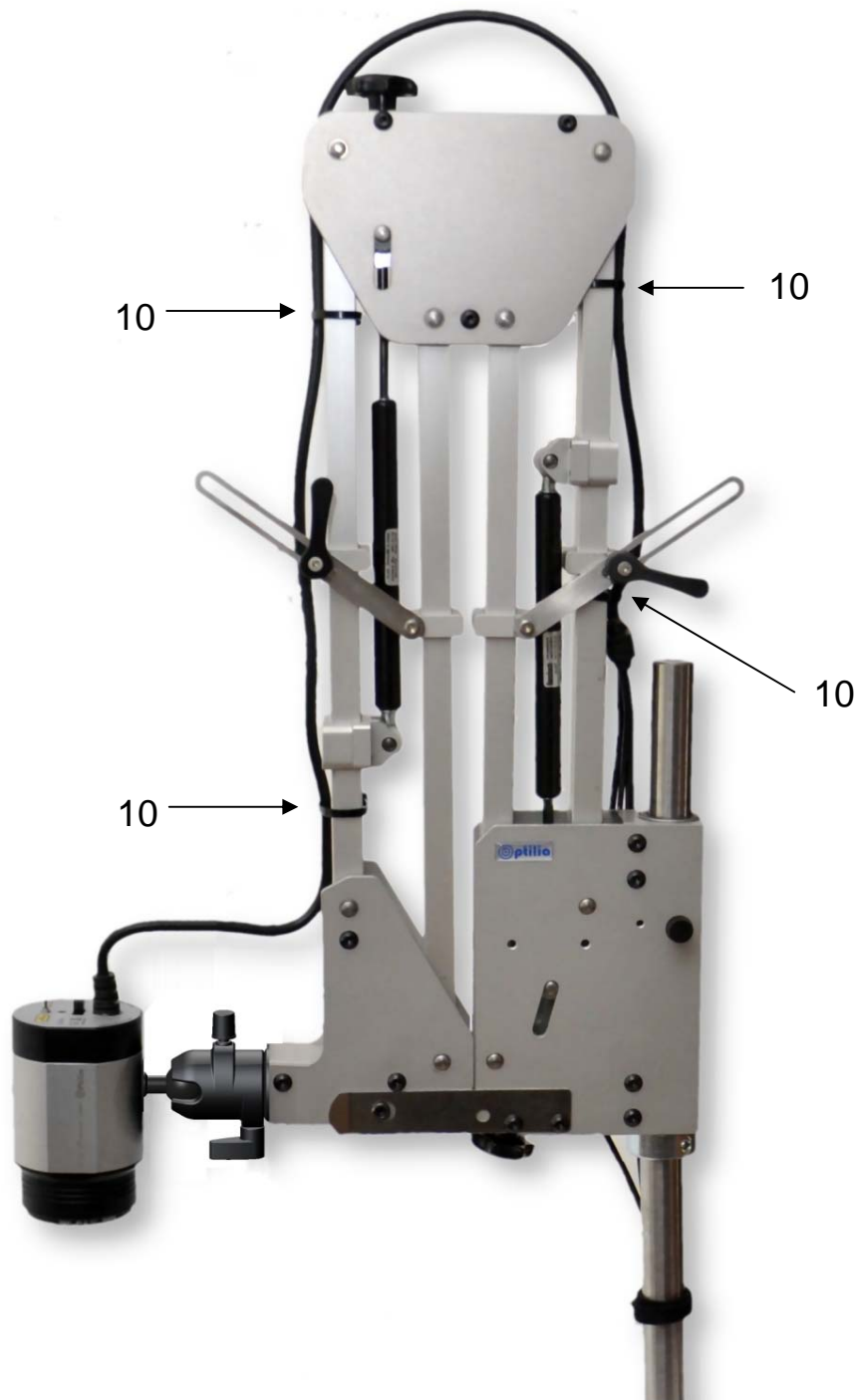
1. Table Stand
2. Table Stand Clamp
3. Arresting knob for counterweight adjustment
4. Arresting latch
5. Clamping lever for lateral movement
6. Friction knob for rotational movement
7. Gas spring
8. Articulated Knuckle
9. Vertical position set Collar
10. Cable ties

### 3. Assembly Instructions

- a. The parallel arm is delivered locked in its arresting latch. Keep the equipment in this position until the camera is being attached.
- b. Fasten the table stand (1) onto the table by the Clamp (2).
- c. Fix the set collar (9) using 4mm allen key approximately 10-20cm from surface of the working bench.
- d. Place the locked Parallel Arm on vertical post of the table stand. Be careful the Rotational movement friction screw (6) is not blocking vertical post of the stand
- e. Attach the Camera to the articulated Knuckle (8).



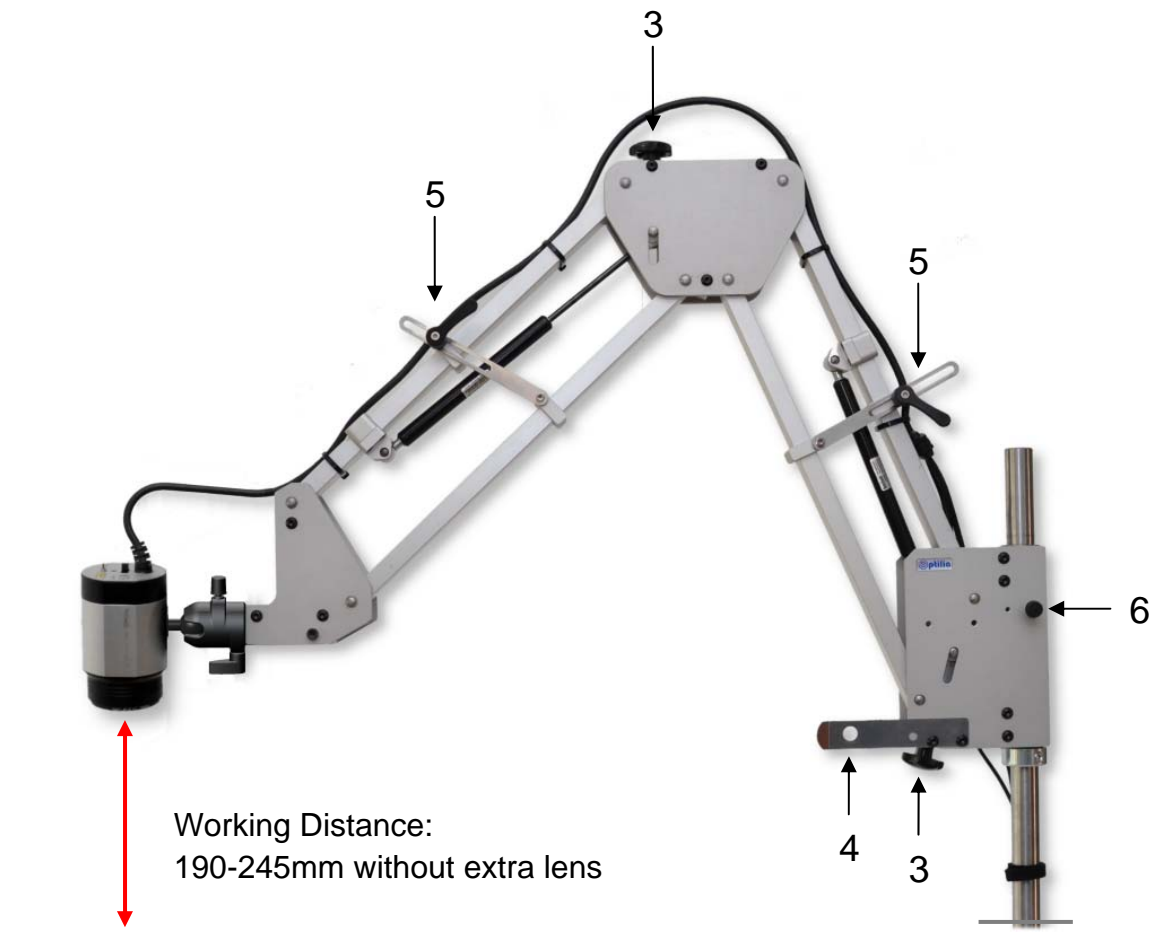
- f. Fix the Camera Cable using the plastic ties (10) at the 4 positions shown in below picture! Tilt and angle Camera in all directions and make sure the Cable stays relaxed. Cut the excess tie tails!



**Note:** Refer to user's instructions of the knuckle to learn more about how to use this item.

## 4. How to operate the device

- a. Carefully unlock the Parallel Arm from the arresting latch (4) and move the camera to its working position.
- b. Turn the clamping levers (5) clockwise for more friction or tighten them to lock the Parallel Arm in position.
- c. Tighten the knob (6) for more rotational movement friction if necessary.



- d. Leverage power of the gas springs is preset for W10x-HD or W20x-HD. However, you can change this by using the arresting knobs (3) if necessary. Turn the knob (3) counter clockwise to increase the strength. Turn the knob clockwise to reduce the strength.

**Note:** Working distance range of W10x-HD and W20x-HD cameras is approximately 190-245 mm at maximum zoom factor without extra close-up lenses. Camera cannot focus if you position the device outside this range.



## 5. Specification

Load range ● 0.5 – 2.0 kg

Maximum working radius ● 1100 mm (from axis of the stand post)

Recommended working range ● 400 – 1100 mm (from axis of the stand post)

Length of table stand post ● 510 mm (from surface of working bench)

Operation Temperature / Humidity ● - 20°C ~+60°C / Rh. 0~90% (No condensing)

Operation Temperature / Humidity ● - 0°C ~+45°C / Rh. 0~90% (No condensing)

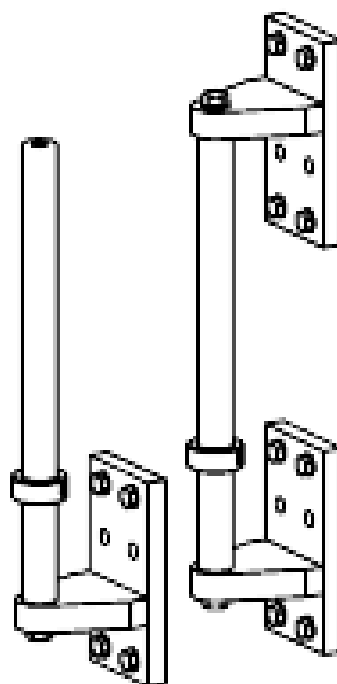
Dimensions of Parallel Arm ● ~ 265(W) x 600(H) x 85(D) mm (without table stand)

Dimensions of table stand base ● ~ 125(W)x125(D) mm.

Weight ● ~ 8 kg (inclusive table stand and table clamp)

## 6. Optional accessories

1. Wall stand (single or double brackets)



## **7. Warranty information**

Optilia provides the following non-transferable warranties for the benefit of the original end-use purchaser of a product.

Optilia warrants that all Optilia products shall be free from defects in material and workmanship for one (1) year from the date of purchase.

The above warranties are in lieu of all other warranties, express or implied, including all warranties of merchantability and/or fitness for a particular purpose. Optilia's liability under these warranties, including any damages sustained by the customer through malfunction or failure of the Optilia product, shall not exceed the amount of the purchase price of the Optilia product, regardless of the extent of any such damage, including any special, consequential, or incidental damages of any kind.

This warranty shall only apply to products in ordinary use. Optilia shall have no obligation under this warranty with respect to damage caused by accident, transportation, neglect, misuse, unauthorized alterations or repair, improper installation, or operating conditions.

All repairs of Products shall take place at Optilia's facility in Sollentuna, Sweden. Any defective Products shall be returned to Optilia in an adequate shipping container.

Written notice of, and an explanation of the circumstances of, any defect believed to be covered by this agreement shall be provided promptly to Optilia by the customer following discovery of the defect. In satisfaction of its warranty liability, Optilia agrees to take reasonable and prompt action to correct the defect, either by repair or replacement, at its option.

**8. Notes:**

.....

.....

.....

.....

.....

.....

.....

.....

.....

.....

.....

.....

.....

.....

.....

.....

.....

.....

.....

.....

.....

.....

.....

.....

---

All rights reserved. The information contained herein is designed only for use the Parallel Arm with Optilia Instruments AB,s W10x and W20x High Definition cameras. Optilia Instruments AB is not responsible for any use of this information for other purposes. Optilia Instruments AB shall not be liable to the purchaser of this product or third parties for damages, losses, costs or expenses incurred by the purchaser or third parties as result of: accident, misuses, or abuse of this product or unauthorized modifications, repairs or alternations to this product, or failure to strictly comply with Optilia Instruments AB's operating and maintenance instructions

Optilia Instruments AB shall not be liable for any damages or problems arising from the use of any options or any consumable products other than those designated as original Optilia products or Optilia approved products by Optilia Instruments AB.

Optilia Instruments AB shall not be held liable for any damages resulting from electromagnetic interference that occurs from the use of any interface cables or devises other than those provided by or designated as Optilia-approved Products by Optilia Instruments AB.

Djupdalsvägen 22  
S-192 51, Sollentuna  
Sweden  
Phone: +46 (0)8 35 33 60  
Fax: +46 (0)8 35 33 63  
E-mail: [Info@optilia.eu](mailto:Info@optilia.eu)  
Web: [www.optilia.eu](http://www.optilia.eu)

