

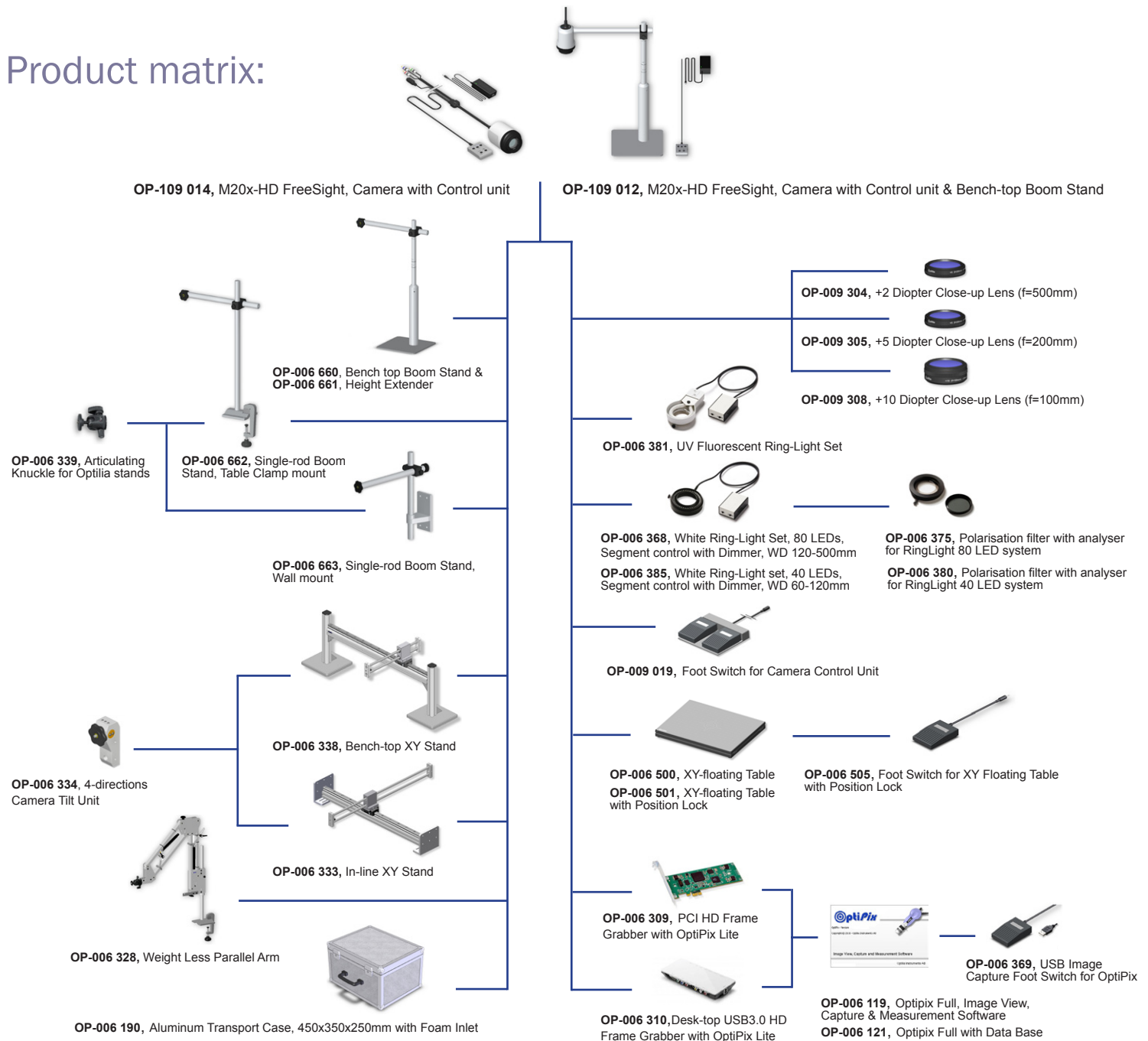
M20x-HD *FreeSight*

High Definition 720p Inspection Camera with extended 500mm Working Distance



Cost effective and ergonomic video inspection system producing bright pictures for fast and reliable optical inspection. The M20x FreeSight has a powerful 20x optical zoom, 350 to 500mm working distance range and a swift auto focus for clear examination of your object in 720p High Definition. An extensive range of lenses, illuminations, software, mounting and stand configurations allows for versatile installation in all working situations.

Product matrix:



Technical specification:

- Image Sensor ○ 1/4" CMOS, ~ 1.4 mega pixels
- Picture Quality ○ HD 720p (1280x720)
- Output Signal ○ 720p/60, 720p/50

- Optics ○ 20x optical zoom with auto focus, F1.4 (F3.4 at 20x) to F14

- Working Distance (w/o Close-up) ○ ~ 350 - 500 mm
- Working Distance with +2 Close-up ○ ~ 210 - 245 mm
- Working Distance with +5 Close-up ○ ~ 125 - 140 mm
- Working Distance with +10 Close-up ○ ~ 73 - 80 mm

- Field of View at 1x zoom ○ ~ 500 x 280 mm (~ 1.5x magnification on 32" monitor)
- Field of View at 10x zoom ○ ~ 42 x 23.6 mm (~ 15x magnification on 32" monitor)
- Field of View at 20x zoom ○ ~ 21 x 11.8 mm (~ 30x magnification on 32" monitor)
- Field of View at 20x zoom +2 Close-up ○ ~ 11 x 6.2 mm (~ 60x magnification on 32" monitor)
- Field of View at 20x zoom +5 Close-up ○ ~ 6.7 x 3.8 mm (~ 100x magnification on 32" monitor)
- Field of View at 20x zoom +10 Close-up ○ ~ 3.7 x 2.1 mm (~ 190x magnification on 32" monitor)

- Camera Control ○ Aluminum housing Control unit with function buttons

- Adjustable parameters ○ Optical zoom, brightness, focus, picture freeze, zoom factor display, setup Save & Recall

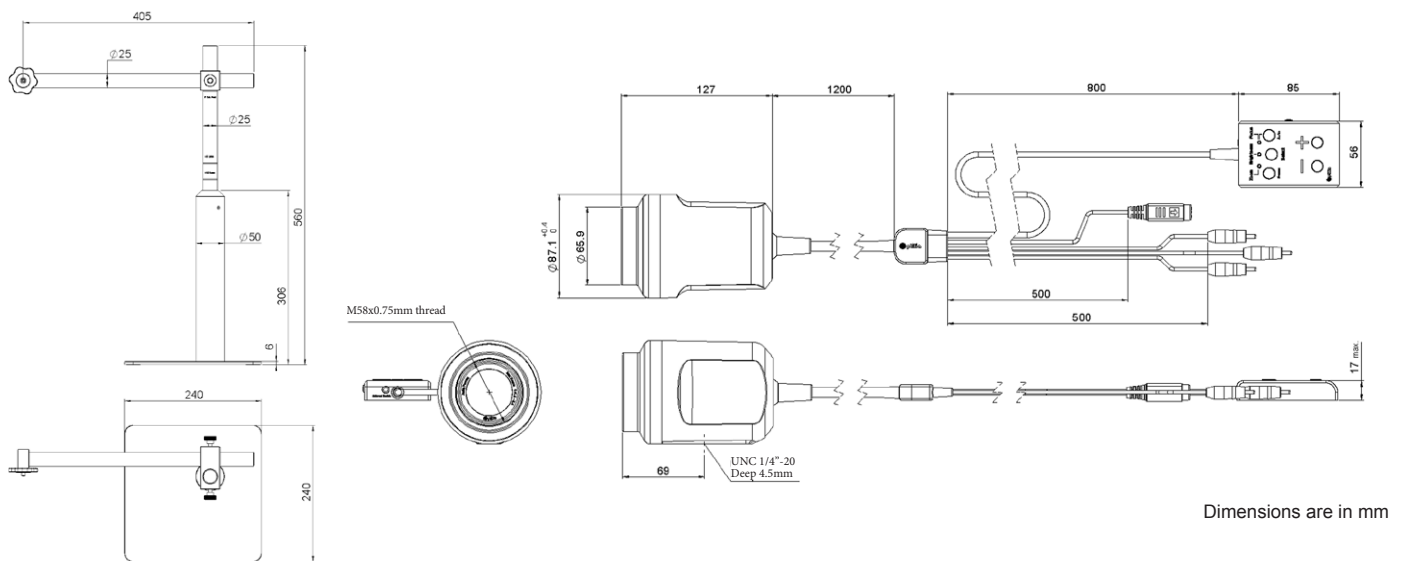
- Inputs ○ DC in (5-pin MiniDin)
- outputs ○ HD Component Y/Pb/Pr Video out (3xRCA), External foot pedal (stereo jack)

- Storage Environment ○ -20° - +60 °C, 20 - 95% RH, non-condensing
- Operating Environment ○ -5 ° - +60 °C, 20 - 95% RH, non-condensing
- Power Requirement ○ 12.0 VDC, 4.0 W max

- Weight of camera ○ 710 g. max (without control unit). 970 g. max (with control unit)
- Weight of Bench-top Stand with height extender ○ 3400 g. max

- Model options ○ M20x-HD FreeSight (Standard)
- M20x-HDE FreeSight (ESD-protected)
- M20x-HDM FreeSight (Medical housing)

Dimensions:



Bench-top Stand with Height extender

Reseller:



Optilia Instruments AB
 Djupdalsvägen 22, SE-192 51 Sollentuna, Sweden.
 Phone: +46 8 35 33 60
 Email: info@optilia.eu
 Web: www.optilia.eu